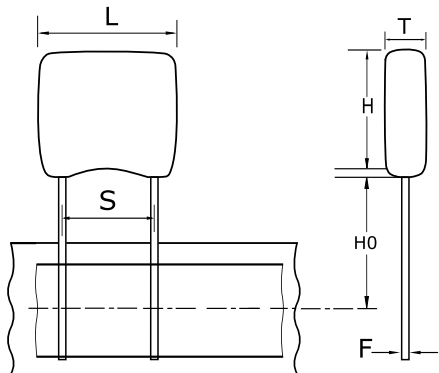


GoldMax 300 Comm Z5U, Ceramic, 0.47 uF, 20%, 50 VDC, Z5U, GoldMax, Commercial Standard, Lead Spacing = 2.54mm



General Information	
Supplier:	KEMET
Series:	GoldMax 300 Comm Z5U
Style:	Radial
Description:	GoldMax, Commercial Standard
RoHS:	Yes
Termination:	Tin
Failure Rate:	N/A
Halogen Free:	Yes

Dimensions	
L	5.08mm MAX
H	5.84mm MAX
T	3.18mm MAX
S	2.54mm +/-0.78mm
H0	16mm +/-0.5mm
F	0.51mm +0.1/-0.025mm

Specifications	
Capacitance:	0.47 uF
Capacitance Tolerance:	20%
Voltage DC:	50 VDC
Dielectric Withstanding Voltage:	125 VDC
Temperature Range:	-10/+85C
Temperature Coefficient:	Z5U
Dissipation Factor:	4.00% 25C
Aging Rate:	7% Loss/Decade Hour
Insulation Resistance:	210 MOhms

Packaging Specifications	
Packaging:	T&R, 305mm
Packaging Quantity:	2500