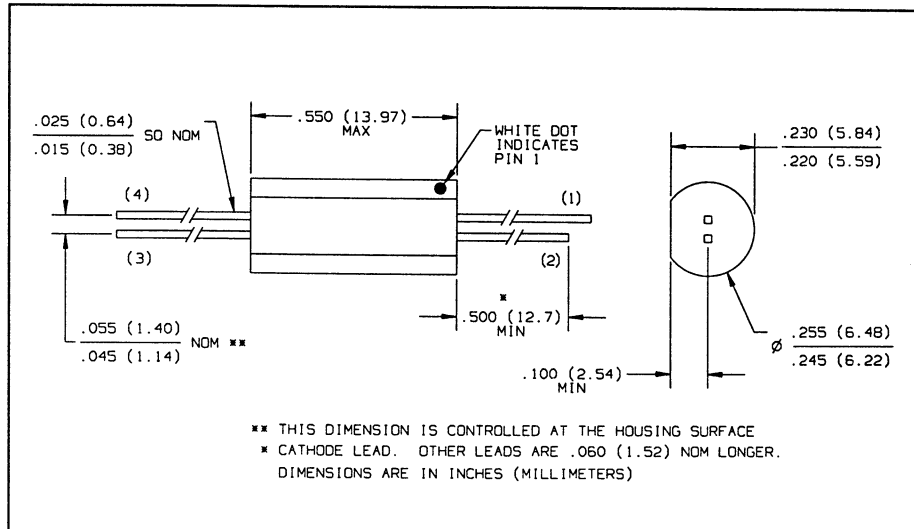
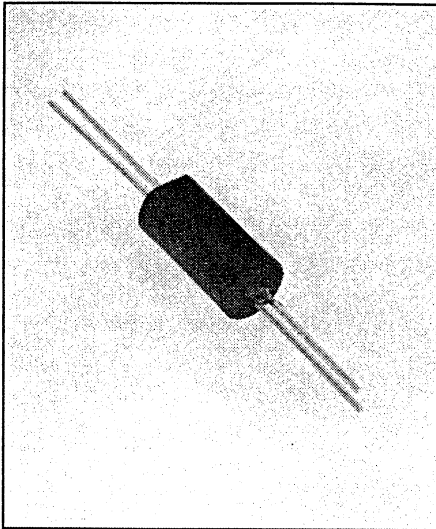


Optically Coupled Isolators

Types OPI1264, OPI1264A, OPI1264B, OPI1264C



Features

- 10kV electrical rating
- High current transfer ratio
- Low cost plastic module
- UL recognized File NO. E58730⁽⁶⁾

Description

The OPI1264 series are optically coupled isolators, each consisting of an infrared emitting diode coupled to an NPN silicon phototransistor and sealed in a precast opaque housing. The isolators are designed for applications requiring high voltage isolation between input and output.

Replaces

K8900 series

Absolute Maximum Ratings (T_A = 25° C unless otherwise noted)

Input-to-Output Isolation Voltage	± 10 kVDC ⁽¹⁾⁽⁶⁾
Storage Temperature Range	-40° C to +100° C
Operating Temperature Range	-40° C to +85° C
Lead Soldering Temperature [1/16 inch (1.6 mm) from case for 5 sec. with soldering iron]	260° C ⁽²⁾

Input Diode

Forward DC Current	40 mA ⁽³⁾
Reverse DC Voltage	2.0 V
Power Dissipation	50 mW ⁽⁴⁾

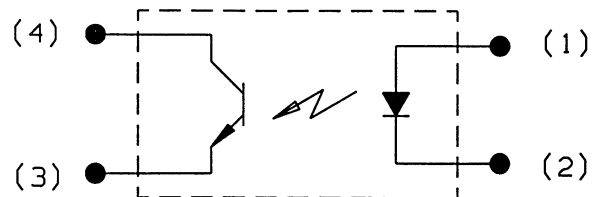
Output Photosensor

Collector-Emitter Voltage	30 V
Emitter-Collector Voltage	5.0 V
Power Dissipation	100 mW ⁽⁵⁾

Notes:

- (1) Measured with input and output leads shorted. Typical input/output capacitance is 0.06pf.
- (2) RMA flux is recommended. Duration can be extended to 10 sec. max. when flow soldering.
- (3) Derate linearly 0.67 mA/° C above 25° C.
- (4) Derate linearly 0.83 mW/° C above 25° C.
- (5) Derate linearly 1.66 mW/° C above 25° C.
- (6) UL recognition is for 3500 VAC, 1 minute only.

Schematic



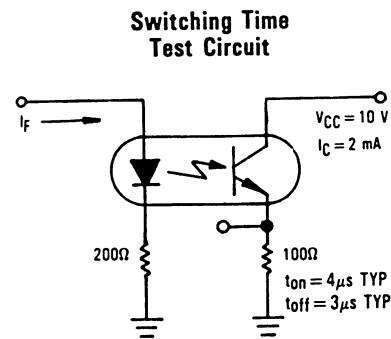
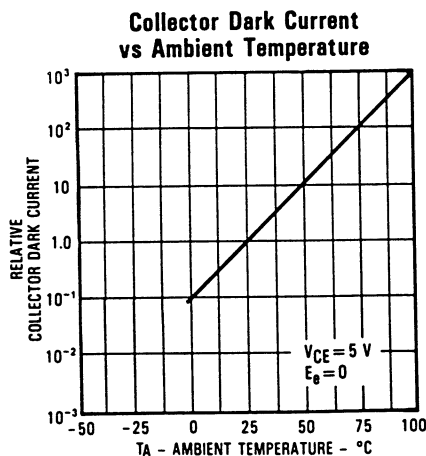
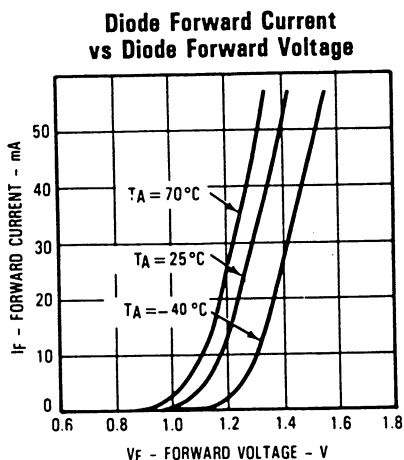
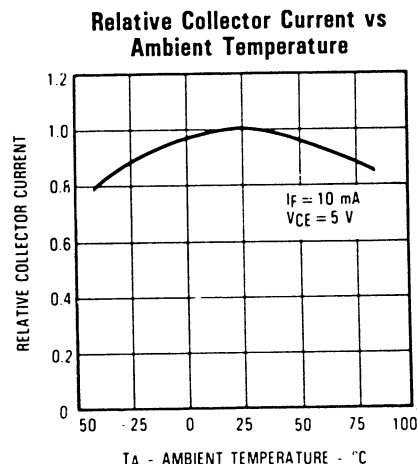
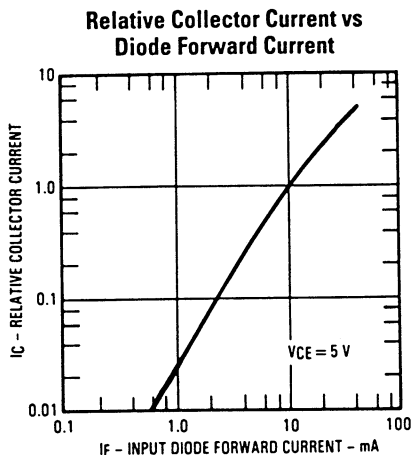
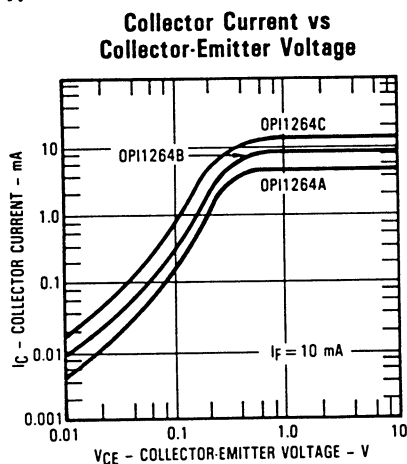
OPI 1264

Types OPI1264, OPI1264A, OPI1264B, OPI1264C

Electrical Characteristics ($T_A = 25^\circ\text{C}$ unless otherwise noted)

SYMBOL	PARAMETER	MIN	TYP	MAX	UNITS	TEST CONDITIONS
Input Diode						
V_F	Forward Voltage			1.60	V	$I_F = 20\text{ mA}$
I_R	Reverse Current			100	μA	$V_R = 2.0\text{ V}$
Output Phototransistor						
$V_{(BR)CEO}$	Collector-Emitter Breakdown Voltage	30			V	$I_C = 100\ \mu\text{A}$
$V_{(BR)ECO}$	Emitter-Collector Breakdown Voltage	5			V	$I_E = 100\ \mu\text{A}$
I_{CEO}	Collector-Emitter Dark Current			100	nA	$V_{CE} = 15\text{ V}, E_e = 0$
Coupled						
I_C/I_F	DC Current Transfer Ratio	OPI1264 OPI1264A OPI1264B OPI1264C	12.5 25 50 100		125	% $I_F = 10.0\text{ mA}, V_{CE} = 5.0\text{ V}$
V_{ISO}	Isolation Voltage		10			kVDC (See Note 1)
$V_{CE(SAT)}$	Collector-Saturation Voltage			0.40	V	$I_F = 10.0\text{ mA}, I_C = 1.6\text{ mA}$
I_{CEO}	Collector-Emitter Dark Current			200	nA	$I_F = 0, V_{CE} = 20\text{ V}$

Typical Performance Curves



The input waveform is supplied by a generator with the following characteristics: $Z_{OUT} = 50\ \Omega$, $t_r \leq 15\text{ ns}$, duty cycle $\approx 1\%$, pulse width $\approx 100\ \mu\text{s}$.

OPTICALLY COUPLED ISOLATORS