



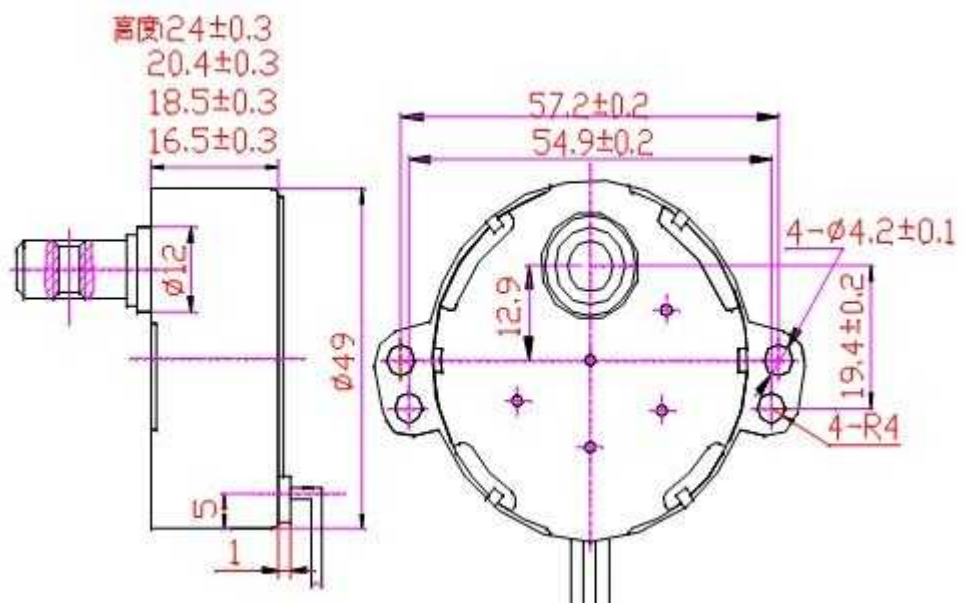
• **Products description:** Synchronous motor TYJ50 terminal

1. Product characteristic: This product is combined with permanent magnetic motor and gear reduction structure. Its advantages are compact in size, low-power, low noise level and large output torque.
2. major applications: Mainly applied in mechanism requesting constant speed and automatic control system as driving engine. Widely used in box fans, electric fans, electric heaters, air conditioners, microwave ovens, dish washers, stage lightings, laminaters, curtain drawing devices and etc.
3. major technical data:

(Rated voltage)	(V)	AC12V-240V
(Rated frequency)	(Hz)	50 Hz/60 Hz
(Input power)	(W)	4W
(Insulation class)	(class)	A.E.B.F.H.N
rotation speed	(r/min)	0.8-100r/Min
certifications	UL\TUV\CEE\VDE	

**Remarks:** motor output shaft can be custom-made.

4. outline drawing:



### **Class operating Temperatures**

<b>Class</b>	<b>Temperature</b>
<b>A</b>	<b>105 deg C</b>
<b>E</b>	<b>120 deg C</b>
<b>B</b>	<b>130 deg C</b>
<b>F</b>	<b>155 deg C</b>
<b>H</b>	<b>180 deg C</b>
<b>N</b>	