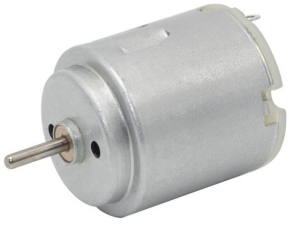


MODEL:RC-260RA/RC-260SA



OUTPUT:APPROX0.5~8.0W

Metal-brush Motors/Carbon-brush Motors

Typical Applications: Electric Toys

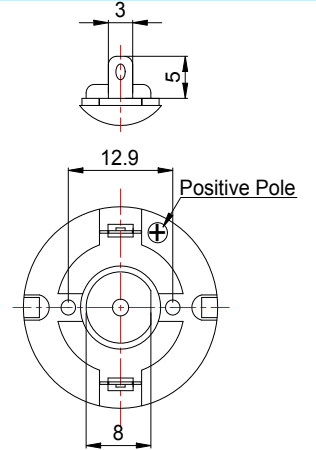
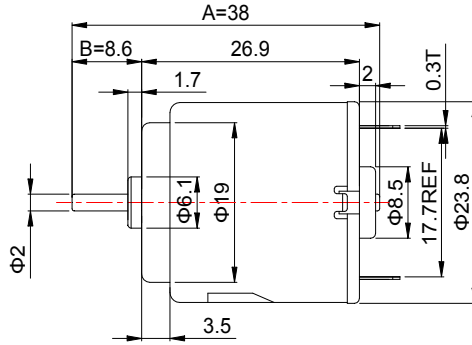
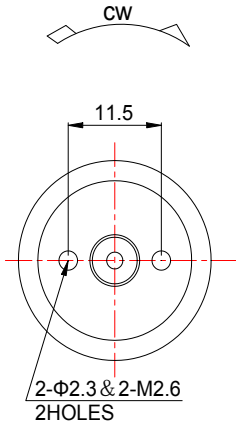
Wireless Control Model

Household Appliances

1.OUTLINE DRAWING:

UNIT:MM

DIRECTION OF ROTATION

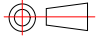


Customizable Parameters:

1. Length A and B
2. Electric Performance
3. Direction of Rotation
4. Eccentric Wheel is available

WEIGHT: 28g(Approx)

View:



2.MOTOR PERFORMANCE :

MODEL	VOLTAGE		NO LOAD		AT MAXIMUM EFFICIENCY				STALL			
	OPERATING RANGE	NOMINAL	SPEED	CURRENT	SPEED	CURRENT	TORQUE	OUTPUT	TORQUE	CURRENT		
		V	rpm	A	rpm	A	g.cm	mN.m	W	g.cm	mN.m	A
RC-260RA-2670	2.5~5.0	4.5	18500	0.24	15500	1.29	18	1.77	2.86	120	11.78	6.92
RC-260RA-18130	2.0~5.0	3.0	6900	0.09	5504	0.36	9.7	0.95	0.55	48	4.71	1.4
RC-260SA-20135	3.0~7.0	6.0	9600	0.13	8000	0.64	25	2.45	2.05	152	14.92	3.1

