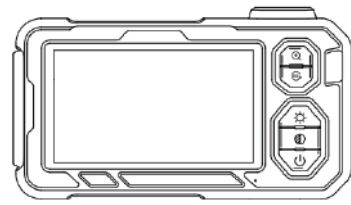


Industrial Borescope User Manual



UT667
UT667-5m
UT667-10m

Please read the User Manual carefully before your using!

PREFACE

Thank you for purchasing the new Industrial Borescope . In order to use this product safely and correctly, please read this manual thoroughly.

After reading this manual, it is recommended to keep the manual at an easily accessible place, preferably close to the device, for future reference.

LIMITED WARRANTY AND LIABILITY

Uni-Trend guarantees that the product is free from any defect in material and workmanship within one year from the purchase date. This warranty does not apply to damages caused by accident, negligence, misuse, modification, contamination and improper handling. The dealer shall not be entitled to give any other warranty on behalf of Uni-Trend. If you need warranty service within the warranty period, please contact authorized service center or send the product back with problem description.

This warranty is the only compensation you can obtain. Uni-Trend will not be responsible for any special, indirect, incidental or subsequent damage or loss caused by any reason or speculation. As some areas or countries do not allow limitations on implied warranties and incidental or subsequent damage, the above limitation of liability and stipulation may not apply to you.

Safety & Maintenance

- Do not hit the Lens violently. Do not pull the cables so hard.
- Be careful to use the device in somewhere rough and uneven, and avoid scratching the waterproof layer of probe.
- The Lens probe is not made from heat-resistant materials, so please cool down the temperature of engine to be normal when inspect it.

-2-

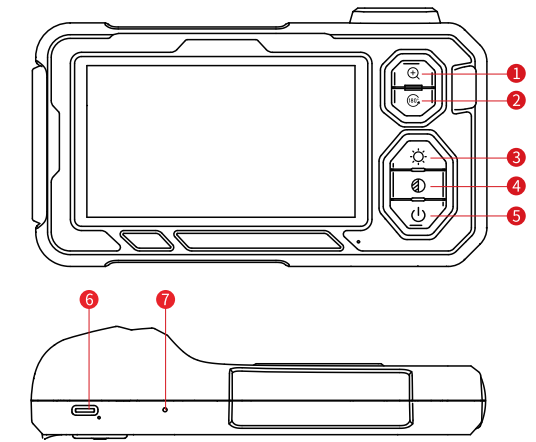
- Keep the Lens and device clean and dry when not using, to avoid contacting any oil contaminations or other corrosives.
- The product is not suitable for users who are limited in body health, sensory ability or spirit ability.
- Do not let children contact and operate the device.
- Do not disassemble the device randomly and contact sellers for maintenance service if any damaged.
- The product is for industrial borescope use, and not suitable for medical use or body check.

Battery

- Please charge the device via the home charger meets safety requirements (5V=1A).
- The device is supported to be used in the charging process.
- When the device is not used for a long time, charge it at least once every three months, to avoid unrecoverable damage caused by over-discharge.

-3-

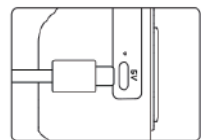
Functions



1	Zoom In (1.0-1.5-2.0x, in cycle)
2	Rotate Images/Switch Lens (180° image rotation, Dual-Lens: long press to switch front/side Lens.)
3	Light Brightness Loop (0-60-80-100%, in cycle)
4	Black-White/Color Mode (In cycle)
5	POWER Button (Long press 2-3s to power on/off)
6	Charging Interface (Support the Type-C charging)
7	RESET Button (Reset when in the conditions of freezing image output or machine crash)

-4-

Charging Guideline



1. Charge the device via the Type-C adapter (5V=1A), and fast charge is not supported.
2. During the charging, LED lights up in solid red.
3. When it is fully charged, LED lights up in solid green. (Please charge the device via the Type-C cable.)

FAQ

- 1) The image output is freezing up

Check the battery status of device, or restart the device.

- 2) Unclear imaging

The optimum imaging focus is 2cm-10cm, please align the device with the target, or use a clean alcohol cloth to wipe the front-end of Lens.

- 3) Charge

Please charge the device via the charger (5V=1A), and fast charge is not supported.

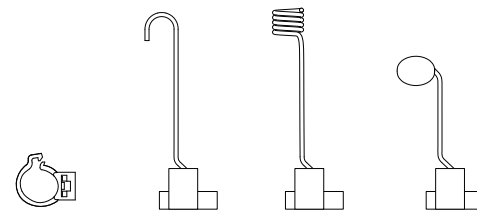
-5-

- 4) Lens overheated

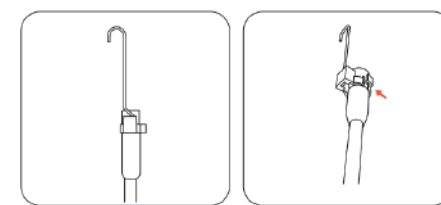
The Lens overheat phenomenon is commonly seen, especially in the highest LED brightness of Lens, but without affecting the normal use or service life.

Accessory Installation Guideline

Accessories: Fixed Buckle *3, Hook*1, Magnet*1, Side Mirror*1



Installation Diagram



1

2

-6-

Specification

Models	UT667	UT667-5m	UT667-10m
System	Screen Size	4.3"IPS LCD	
	System Languages	English	
	Screen Pixels	1280*720	
	Basic Functions	Screen rotation, Black-white images, Color conversion, Image zoom-in and zoom-out	
Hose	Hose Material	The hardware with aviation plug can be changed	
	Hose Length	1m	5m
Lens	Lens Diameter	8mm	
	Light Sensor Chip	CMOS	
	Field of View (FOV)	70°	
	Depth of Field (DOF)	20~100mm	
	Adjustable LED Lights	4-Setting, 8 LEDs	
	Pixels	300K	
	IP Rating	IP67	
	Battery	Battery	3.7V/2000mAh
Battery Life		5h	
Working Conditions	Lens Temperature	0°C~80°C	
	Working Temperature	0°C~45°C	
	Humidity	<90%RH, No condensation	
Accessories List: Large Screen Industrial Borescope*1, Type-C Cable*1, Gift Box*1, User Manual*1, Blister Tray*1, Hook*1, Side Mirror*1, Magnet*1, Fixed Buckle*3.			

The manual is subject to change without prior notice!

Due to different batches, the materials and details of actual products may be slightly different from the graphic information, please refer to the actual product received. Experimental data provided in the page is from internal laboratory of UNI-T, but it should not be a reference for customer to place orders. Any questions, please contact the customer service, thanks!

-7-

UNI-T
UNI-TREND TECHNOLOGY (CHINA) CO., LTD.
No.6, Gong Ye Bei 1st Road,
Songshan Lake National High-Tech Industrial
Development Zone, Dongguan City,
Guangdong Province, China
Tel: (86-769) 8572 3888
<http://www.uni-trend.com>
P/N:11040113051X